

This specification describes the situation of the Proximus network and services. It will be subject to modifications for corrections or when the network or the services will be modified. Please take into account that modifications can appear at any moment. Therefore, the reader is requested to check regularly with the most recent list of available specifications that the document in one's possession is the latest version.

Proximus can't be held responsible for any damages due to the use of a version of this specification which is not included in the most recent list of available specifications (list always available with a request to the e-mail address mentioned in the underneath paragraph).

Whilst every care has been taken in the preparation and publication of this document, errors in content, typographical or otherwise, may occur. If you have remarks concerning its accuracy, please send a mail to the following address_ proximus.uni.spec@proximus.be and your remark will be transmitted to the right Proximus department.

The User Network Interface Specifications published via Internet are available for your information but have no official value. The only documents with an official value are printed on a specific paper.

If you want to get an official version of this User Network Interface Specification, please order it by sending your request by mail to proximus.uni.spec@proximus.be

Reach Extended ADSL2 (ADSL2 annex L)
User To Network Interface specification

Table of Contents

0.	DOCUMENT HISTORY.....	2
1.	SCOPE	3
2.	REFERENCES	4
3.	DEFINITIONS AND ABBREVIATIONS	5
3.1.	Abbreviations	5
3.2.	Definitions.....	5
4.	SYSTEM REFERENCE MODEL	6
5.	UNI SPECIFICATION	7
5.1.	User to Network Interface U_R.....	7
5.2.	Transmission characteristics	
75.3.	Handshaking	
75.4.	Management	
75.5.	Splitters and filters.....	7
	ANNEX A : LOCAL LOOP CHARACTERISTICS	8

0. Document history

Every update of this document results in a complete new version with new version number and release date.

Version	Date	Main or important changes since previous version
1.0	06 FEB 2007	<ul style="list-style-type: none">Initial version

1. Scope

The goal of this document is to provide the technical specifications of the User To Network Interface (UNI) for Reach Extended ADSL2 (ADSL2 annex L) equipment to be connected to the Proximus network.

The UNI technical specifications for the Reach Extended ADSL2 service, mentioned in this document, are based on the currently relevant international specifications and recommendations for Reach Extended ADSL2 equipment (see references).

2. References

[1] ITU-T G.992.3 Recommendation "Asymmetric Digital Subscriber Line transceivers 2 (ADSL2)"

[2] ITU-T G.994.1 Recommendation "Handshake procedures for digital subscriber line (DSL) transceivers"

[3] ITU-T G.997.1 Recommendation "Physical layer management for Digital Subscriber Line (ADSL) transceivers"

[4] ETSI TS 101 952-1-1 (Version 1.2.1) Technical Specification "Generic specification of the low pass part of DSL over POTS splitters including dedicated annexes for specific xDSL variants"

[5] ETSI TS 101 952-1-2 (Version 1.1.1) Technical Specification "Specification of the high pass part of ADSL/POTS splitters"

3. Definitions and abbreviations

3.1. Abbreviations

For the purposes of the present document, the following abbreviations apply:

ATM	Asynchronous Transfer Mode
CP	Customer's Premise
C	Central Office
O	Discrete Multi-Tone
DMT	Digital Subscriber Line (also named Copper Access Line or Local Loop)
DSL	Digital Subscriber Line Access Multiplexer
DSLAM	ElectroMagnetic Compatibility
EMC	Integrated Services Digital Network
ISDN	Line Termination
LT	Network Termination (at the customer premise end of the line)
NT	Operations, Administration and Maintenance
OAM	Plain Old Telephony Service
POTS	Terminal Equipment
TE	User Network Interface
UNI	ADSL2 Transceiver Unit - Central Office side
ATU-C	ADSL2 Transceiver Unit - Remote side
ATU-R	

3.2. Definitions

For the purposes of the present document, the following terms and definitions apply:

downstream: transmission in the direction of LT towards NT (network to customer premise)

upstream: transmission in the direction of NT towards LT (customer premise to network)

xDSL: generic term covering the family of all DSL technologies, e.g. DSL, HDSL, SDSL, ADSL, ADSL2, ADSL2

Central Office: Central Office side is intended to designate a Local Exchange (LEX), a Local Distribution Center (LDC) or any housing at the operator side of the DSL that contains the DSLAM equipment.

4. System reference model

Figure 1 shows the reference model used for Reach Extended ADSL2 [1].

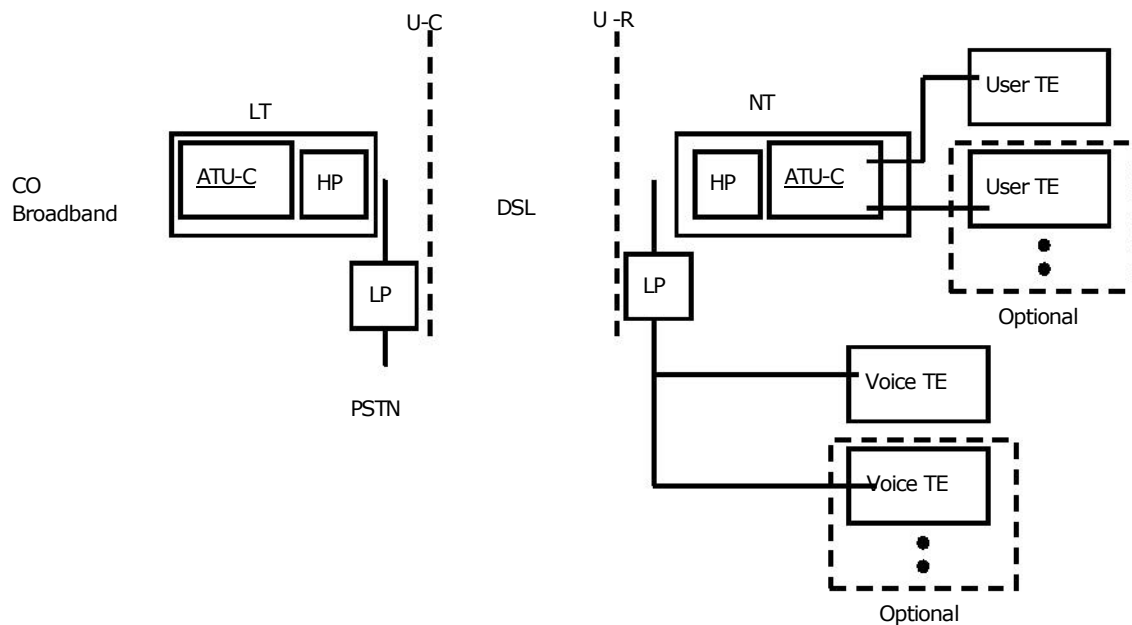


Figure 1: General reference model

A Digital Subscriber Lines Access Multiplexer (DSLAM) holding ADSL2 Line termination (LT) cards is placed at central office (CO) side. From the DSLAM, the Digital Subscriber Lines (DSL), consisting in unscreened twisted metallic access wire-pairs, are used to convey the broadband (ADSL2) and narrowband (POTS) signals to and from the customer's premises (CP).

At the CP side, the ADSL2 NT block (Network Termination) contains the remote ADSL2 transceiver unit (ATU-R) and the High-Pass filter (HP). The POTS Terminal Equipment (TE) is connected on the POTS port of a Splitter that includes a Low-Pass filter (LP). The ADSL2 NT can be connected directly to the DSL termination point or via the ADSL2 port of the splitter.

At the CO side, the DSLAM contains the ADSL2 Transceiver Unit (ATU-C), the ADSL2 splitter and High-Pass filter (HP) functionalities and the backhaul to the optical network.

5. UNI specification

5.1. User to Network Interface U_R

The User to Network Interfaces (UNI) U_R is the Digital Subscriber Line Termination point into the Customer's Premise where the splitter and the NT can be connected.

U_R interface carries the POTS service multiplexed in frequency division multiplexing mode with the ADSL2 upstream and downstream signal.

5.2. Transmission characteristics

ATU_C and ATU-R shall comply with ITU-T G.992.3 main body and Annex L (Specific requirements for a Reach Extended ADSL2 (READSL2) system operating in the frequency band above POTS) [1].

Only the transmitter PSD mask for non-overlapped spectrum operation described in Annex L §1.3 shall be used by ATU-C.

5.3. Handshaking

ATU-C and ATU-R shall support ADSL2 handshaking procedure described within ITU-T G.994.1 [2]

5.4. Management

ATU-C and ATU-R shall support management functionalities described within ITU-T G.997.1 [3]

5.5. Splitters and filters

Although ETSI technical specification defines an optional high pass filter into the splitter, it is common ADSL practice that the high pass filter is included into the network termination equipment and that the splitter contains only the low pass filter. The same practice may apply to Reach Extended ADSL2, this document will only specify the filter functionality and not exact location.

The low pass filter shall comply with ETSI TS 101 952-1-1 [4] for ADSL2 options. At least option A within [4] shall be supported but it is preferable that both option A & B are supported.

The high pass filter shall comply with ETSI TS 101 952-1-1 [5].

ANNEX A : Local loop characteristics

A telecom cable consists of a number of cores surrounded by a layer of insulating material. The cores of such a cable are always grouped in pairs of conductors.

Cables in the local network are designed so as to ensure optimum transmission and guarantee minimum mechanical resistance. For this reason, the description of cables below consists of a section dealing with electrical characteristics and one dealing with mechanical characteristics.

Mechanical characteristics

- The conductors of a local cable are round, full wires consisting of 98%-99% pure electrolytic copper.
- A conductor is isolated by a layer of synthetic material (usually polyethylene).
- Most conductors have a 0.5 mm or 0.6 mm diameter with a maximum negative variance of 0.01 mm and a positive variance of 0.03 mm.
- The set of conductors is covered by a waterproof extruded cable sheath (usually polyethylene). Under normal circumstances, the cable is also longitudinally waterproof.
- The cable cores are arranged in a specific manner. The two conductors (e.g. of a telephone circuit) must be arranged symmetrically in relation to all other conductors. For this reason, conductors are twisted and placed in coaxial cylindrical layers (a basic unit consists, for example, of four conductors twisted around one another and from which two telephone circuits can be created; a cross section shows that these four conductors form the corners of a square. The conductors located on two opposite angular points form a pair).

Electrical characteristics

• Since the signals to be transmitted are changeable electrical voltages, the cable conductor must be a good transmission medium for electrical signals. The important elements are defined for a unit length of one kilometer and are called primary electrical parameters of a conductor. These parameters are kilometer resistance R, kilometer inductance L, kilometer capacity C and kilometer leakage G.

♦ kilometer resistance R

- * Kilometer resistance is the initial resistance of a one kilometer conductor pair that is looped at the remote end; the value of this parameter is therefore the resistance of a conductor with a length of two kilometers.
⇒ R is 180 Ohm for a conductor diameter of 0.5 mm (at 20°C); ⇒ R is 123 Ohm for a conductor diameter of 0.6 mm (at 20°C).
- * It should be noted that due to the skin effect, the alternating current resistance is higher than the direct current resistance indicated above.

♦ kilometer inductance L

- * In a symmetrical pair cable, conductors forming a pair lie very close to one another; kilometer inductance L is therefore very low (approx. 0.5 mH per kilometer).

♦ kilometer capacity C

- * The capacity between two conductors of the same pair can be measured when the rest of the cable conductors are connected to each other and to an equipotential point of a measuring device. The nominal value of kilometer capacity C is situated between 38.5 nF/km and 50 nF/km at 800 Hz.

♦ kilometer leakance G

- * Kilometer leakance G depends on the frequency concerned and kilometer capacity C. Theoretically, kilometer leakance may be considered as negligible.
- * G can roughly be calculated with the help of the following formula, in which k has a value between 0.005 and 0.02 (ω = pulsation in rad/s):

$$G = k \cdot \omega \cdot C$$

- The insulation resistance of each conductor in relation to the rest of the conductors (and any shielding) is at least 5,000 M /km.